

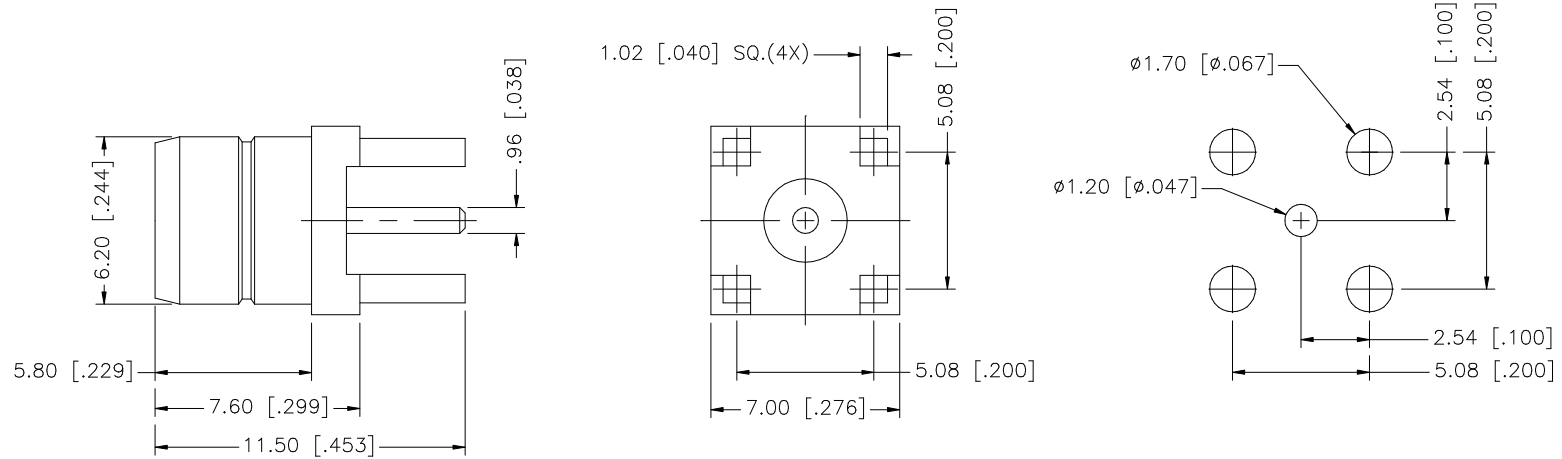
Amphenol 安费诺 142139 PDF

Amphenol

深圳创唯电子有限公司

<http://www.amphenol-connect.com>

REV.	DATE	DESCRIPTION
NC	02/22/99	INITIAL RELEASE
A	11/01/06	UPDATE DRAWING FORMAT



8				
7				
6				
5				
4				
3	CONTACT PIN	BRASS	GOLD	1
2	INSULATOR	TEFLON	NATURAL	1
1	BODY	BRASS	GOLD	1
	DESCRIPTION	MATERIAL	FINISH	QTY

UNLESS OTHERWISE SPECIFIED DIMENSIONS ARE IN MILLIMETERS. DIMENSIONS IN [] ARE IN INCHES AND FOR CUSTOMER REFERENCE ONLY.

UNLESS OTHERWISE SPECIFIED TOLERANCES FOR MILLIMETERS ARE:
0.5 - 8mm \pm 0.20mm
8 - 30mm \pm 0.40mm
30 - 120mm \pm 0.50mm

UNLESS OTHERWISE SPECIFIED TOLERANCES FOR INCHES ARE:
.020 - .315 = \pm 0.007"
.315 - 1.180 = \pm 0.015"
1.180 - 4.724 = \pm 0.020"

DO NOT SCALE DRAWING

APPROVALS	DATE
DRAWN G.R.S.	11/01/06
CHECKED	
ISSUED	
SHEET 1 OF 1	
CAD FILE	C:/142/142139.DWG

Amphenol Connex

PART DESCRIPTION			
SMB P.C. MOUNT JACK - 75ohm			
-			
PART NO.		142139	
DWG. NO.	142139.DWG	REV. A	SCALE NA

Mouser Electronics

Authorized Distributor

Click to View Pricing, Inventory, Delivery & Lifecycle Information:

[Amphenol:](#)

[142139](#)