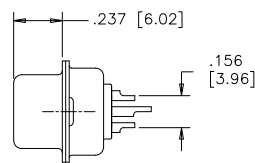
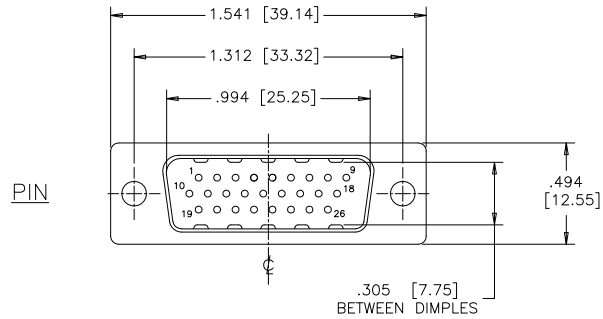


[G17S1500110EU](#)
[L717SDB25P](#)
[LD09P33E4GV00LF](#)
[G17S0900110EU](#)
[L717SDE09P](#)
[G17S1510110EU](#)
[MDBE09PE860](#)
[L77DE09S](#)
[D09P33E4GV00LF](#)
[DAP15P065TXLF](#)
[17EBH-015-S-AM-0-10](#)
[17EHD-044-P-AA-0-00](#)
[17EHD-026-P-AA-0-00](#)
[D25S24A4GV00LF](#)
[D09S24A4GV00LF](#)
[D09P24A4GV00LF](#)
[D15S24A4GV00LF](#)
[D09P33E4GV00LF](#)
[10090929-S154VLF](#)
[ICD15S13E6GV00LF](#)
[17EHD-015-P-AA-0-00](#)
[DA15P064TXLF](#)
[DE09P064TXLF](#)
[DE09S064TLF](#)
[L77SDE09S](#)
[10090769-P154ALF](#)

REVISIONS			
REV	ECN, ERN NO.	DATE	APPRD.
B	UPDATED AS PER EAR 14080	MAY25/12	S.M.
C	PRODUCT DWG PER EAR 14367	APR30/15	K.L.



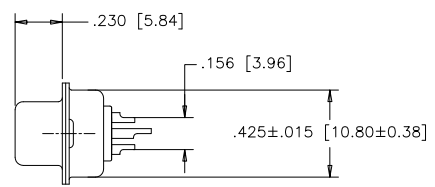
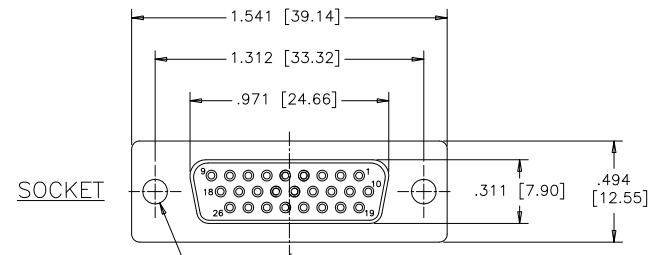
ORDERING CODE:

PART NUMBER: 1 7 E H D - 0 2 6 P A M - 1 0 0

SERIES _____
 NUMBER OF CONTACTS 026
 STYLE _____
 P=PIN
 S=SOCKET

TERMINATION-MOUNTING OPTIONS
 000= SOLDER CUP, .120 [3.05] DIA. THROUGH HOLE
 100= SOLDER CUP, #4-40 UNC THREADED HOLES
 200= SOLDER CUP, #4-40 UNC HEX JACK SOCKETS INSTALLED

CONTACT PLATING OPTIONS FOR ENGAGEMENT AREA
 AA= 3μ" [0.08 MICRONS] GOLD FLASH
 CH= 15μ" [0.38 MICRONS] GOLD
 AM= 30μ" [0.76 MICRONS] GOLD



SPECIFICATIONS:

MATERIALS: ALL MATERIALS ARE RoHS COMPLIANT

SHELL: STEEL, TIN PLATED

INSERTS: HIGH TEMPERATURE RESISTANT NYLON, GLASS REINFORCED, UL FLAMMABILITY RATING 94V-0, COLOUR: BLACK

CONTACTS: COPPER ALLOY, GOLD PLATING (SEE ORDERING CODE) OVER 50u" [1.27 MICRONS] NICKEL ON ENGAGEMENT AREA WITH 100u" [2.54 MICRONS] MIN. MATTE TIN ON CONTACT TERMINALS.

TERMINATION-MTG. OPTION 000
 SOLDER CUP,
 .120 [3.05] DIA.
 THROUGH HOLE (2 PLACES)

ELECTRICAL DATA:

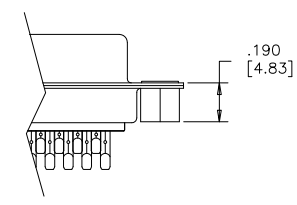
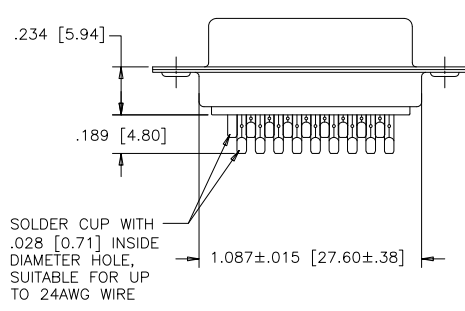
CURRENT RATING: 3 AMP

CONTACT RESISTANCE: 15 MILLIOHMS MAX.

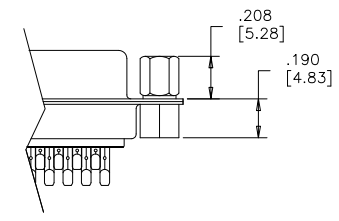
INSULATION RESISTANCE: 3000 MEGOHMS MIN.

DIELECTRIC WITHSTANDING VOLTAGE: 1000 VAC rms

OPERATING TEMPERATURE: -55°C TO +105°C



TERMINATION-MTG OPTION 100
 SOLDER CUP,
 #4-40 UNC THREADED
 THROUGH HOLES



TERMINATION-MTG OPTION 200
 SOLDER CUP,
 #4-40 UNC HEX
 JACK SOCKETS INSTALLED



DRAWN	J.LEE	DATE	OCT03/06
DESIGNED			
CHECKED	K.LAMBIE	DATE	OCT03/06
I. E. APPRD.			
Q. A. APPRD.			
DWG. APPRD.			
ENG. REL. NO.		DWG	DRAWING NO.
REF.	EAR 12956	C	P-17EHD-026XXX-X00
DIMENSIONS ARE IN	INCHES	CODE ID. NO.	03554

Amphenol Canada Corp.			
TITLE 17EHD SERIES HIGH DENSITY D-SUB CONNECTOR, 26 SIZE, SOLDER CUP, PLATING & MOUNTING OPTIONS, RoHS COMPLIANT			
DWG	DRAWING NO.	REV.	
C	P-17EHD-026XXX-X00	C	
SCALE	2/1	WT.	-----
SURF.	-----	SHEET	1 OF 1

THIS DOCUMENT CONTAINS PROPRIETARY INFORMATION AND SUCH INFORMATION MAY NOT BE DISCLOSED TO OTHERS FOR ANY PURPOSE OR USED FOR MANUFACTURING PURPOSES WITHOUT WRITTEN PERMISSION FROM AMPHENOL CANADA CORP.