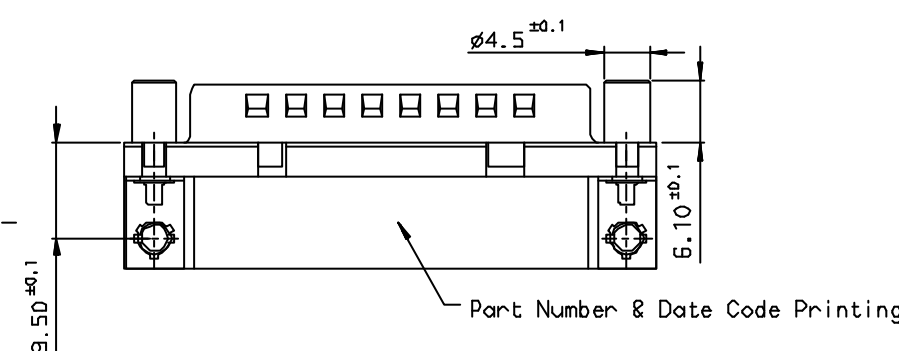
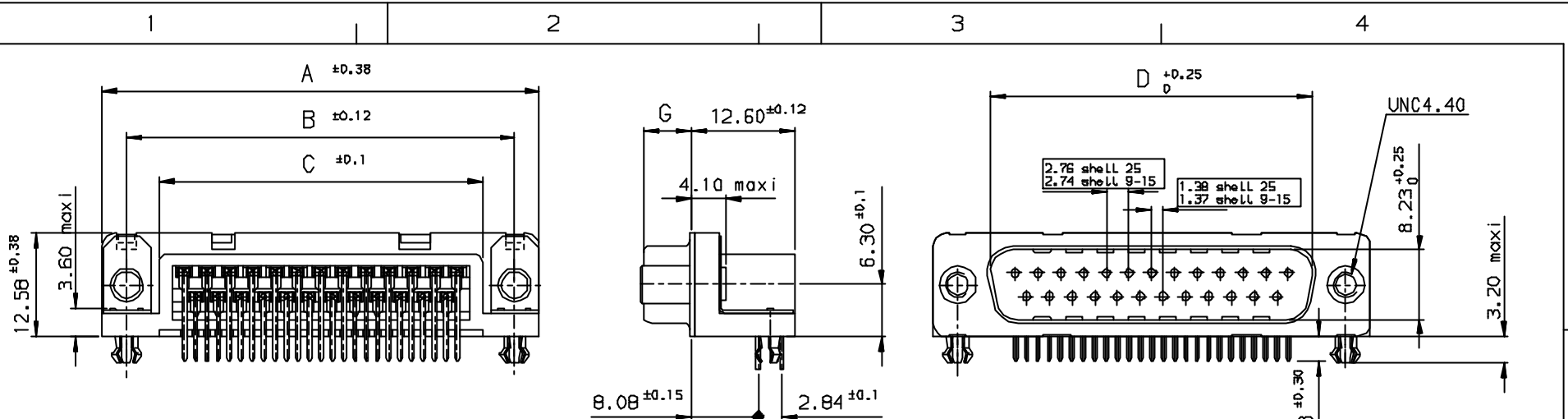


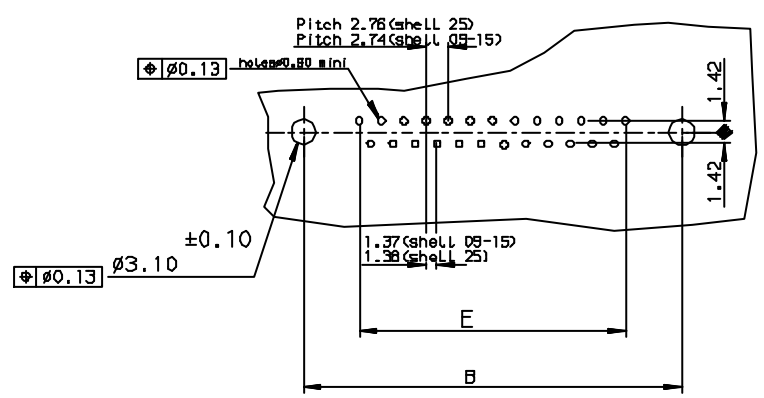
Tous droits strictement réservés. Reproduction ou utilisation sans l'autorisation écrite de la FCI est formellement interdite.  
 Property of FCI. Droits de reproduction réservés.

**FCI**

All rights strictly reserved. Reproduction or use in any form without the written authority from the proprietor.  
 Property of FCI. Copyright FCI.



PC card drilling dimensions (after plating)  
 (thickness 1.60±0.20mm)



PuLL Parts							
SHELL	A±0.38	B±0.12	C±0.10	D±0.25	E±0.07	G±0.25	PART NUMBER
09	30.81	24.99	16.96	16.79	10.96	5.90	D09P33E4GV00**
15	39.14	33.32	25.18	25.12	19.18	5.90	D15P33E4GV00**
25	53.03	47.04	39.12	38.84	33.12	5.70	D25P33E4GV00**

GENERAL CHARACTERISTICS - SEE DRAWING C01-8545-0000

LF FOR LEAD FREE

		✓		Tolerance LINEAR ±0.1 ANGULAR ±1°	Projection 	MM ↔
Dr JOHN SLEEBA	7/4/03	Product Family	II-SUB	Size	A3	Scale
Eng GEORGE VJ	7/4/03	Spec ref		ECN		
Chr GEORGE VJ	27/7/05	Material				
Appr K Somasundaram	27/7/05					
<b>FCI</b>	Title MALE CONNECT. DELTA D right angle screwlock, harpoon & metal plate	Dwg no C01-8545-0151	Rev. d			
Catalog no		DELTA-D		CUSTOMER COPY	Sheet 1 of 1	

d	DATE	REVISION DESCRIPTION
d	27/7/05	LEAD FREE DETAILS ADDED

[G17S1500110EU](#)  
[L717SDB25P](#)  
[LD09P33E4GV00LF](#)  
[G17S0900110EU](#)  
[L717SDE09P](#)  
[G17S1510110EU](#)  
[MDBE09PE860](#)  
[L77DE09S](#)  
[D09P33E4GV00LF](#)  
[DAP15P065TXLF](#)  
[17EBH-015-S-AM-0-10](#)  
[17EHD-044-P-AA-0-00](#)  
[17EHD-026-P-AA-0-00](#)  
[D25S24A4GV00LF](#)  
[D09S24A4GV00LF](#)  
[D09P24A4GV00LF](#)  
[D15S24A4GV00LF](#)  
[D09P33E4GV00LF](#)  
[10090929-S154VLF](#)  
[ICD15S13E6GV00LF](#)  
[17EHD-015-P-AA-0-00](#)  
[DA15P064TXLF](#)  
[DE09P064TXLF](#)  
[DE09S064TLF](#)  
[L77SDE09S](#)  
[10090769-P154ALF](#)